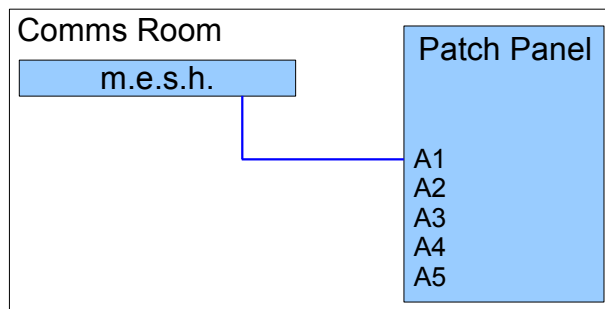
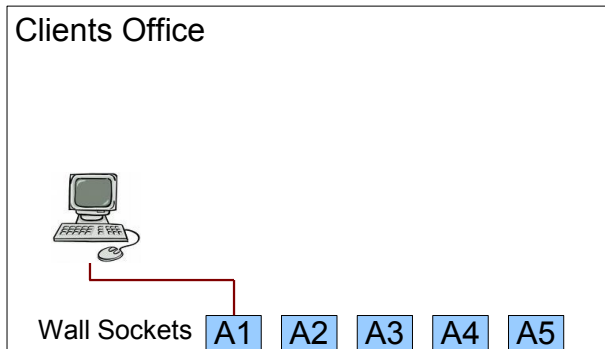


## Simplest setup

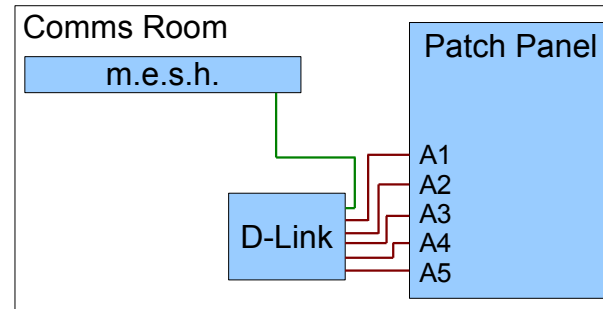
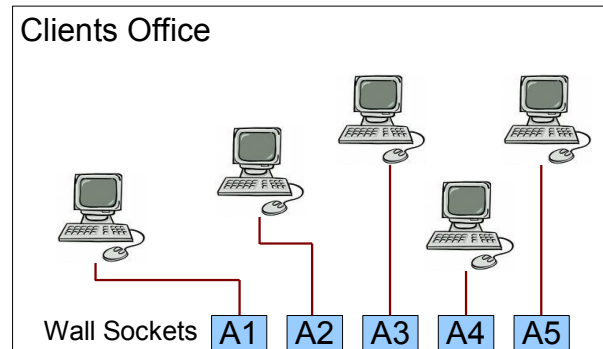
Client has a single computer and no router.



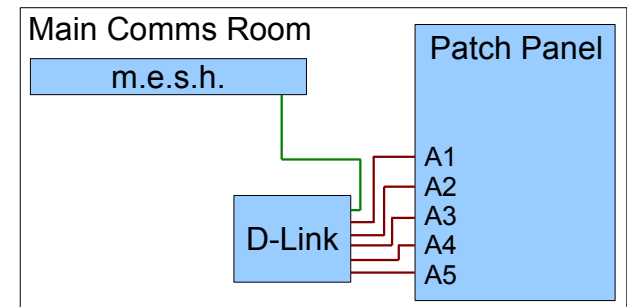
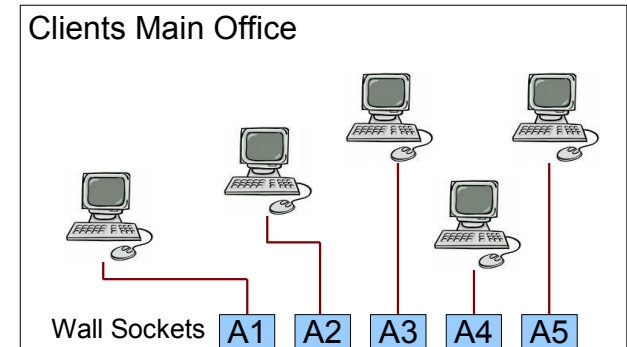
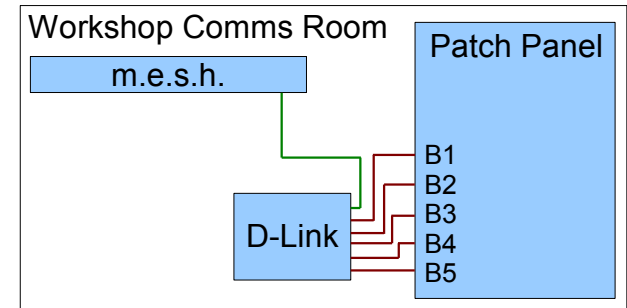
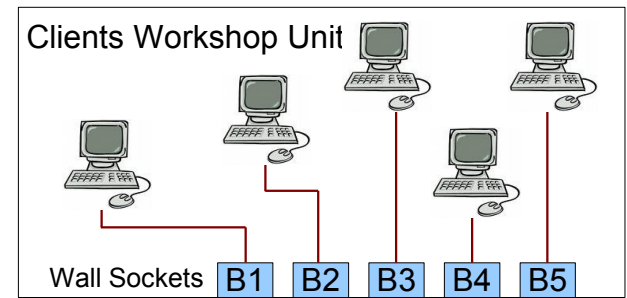
## Standard (recommended) setup

Client has several computers.

A hub (D-Link) is used to make several ports in the office live.

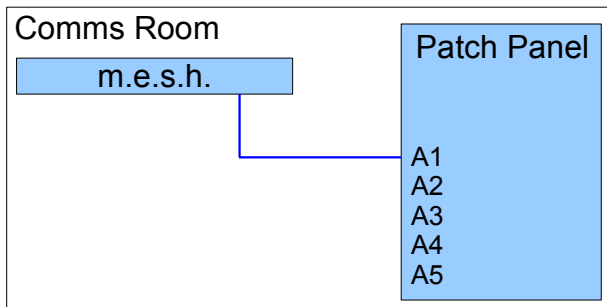
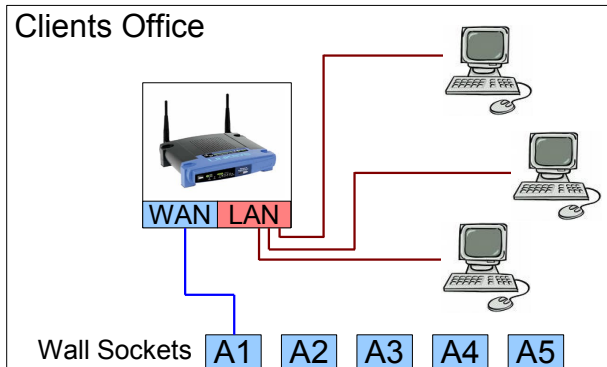


## Linked Office Setup



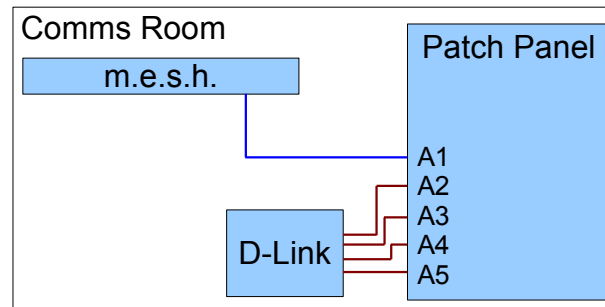
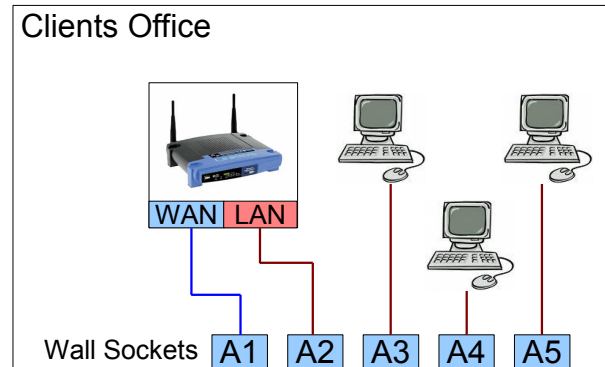
## Simplest passthru setup

Client has own router kept in office and connects office computers directly into router.

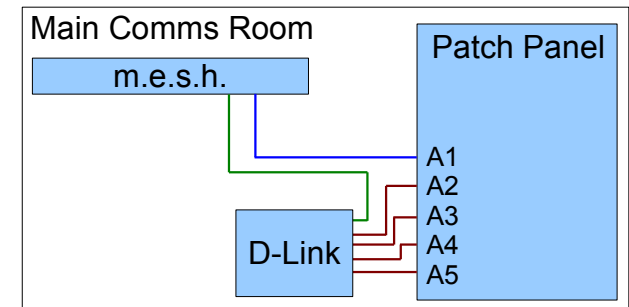
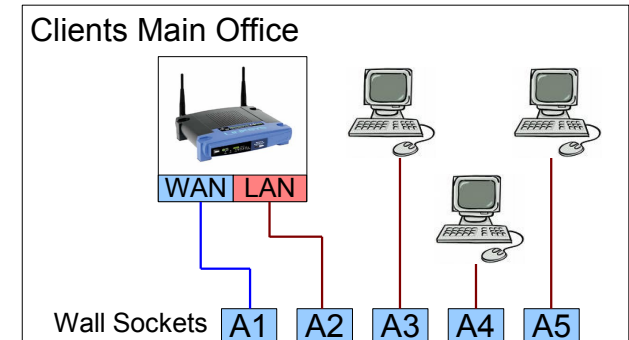
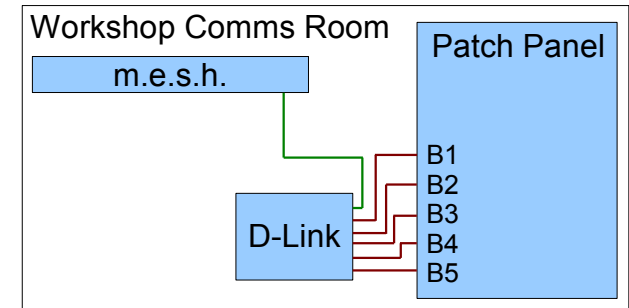
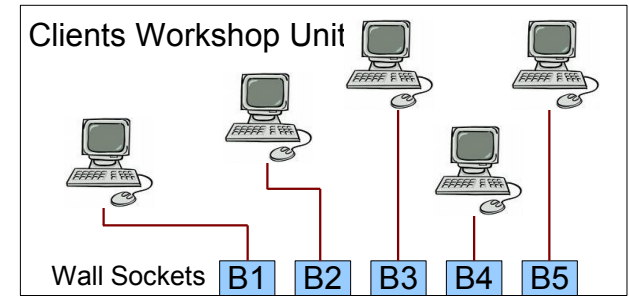


## Standard passthru setup

Client has own router and also uses a hub (D-Link) in the comms room to make the rest of the sockets in the office live.

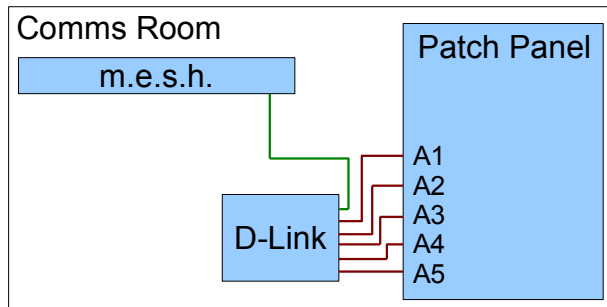
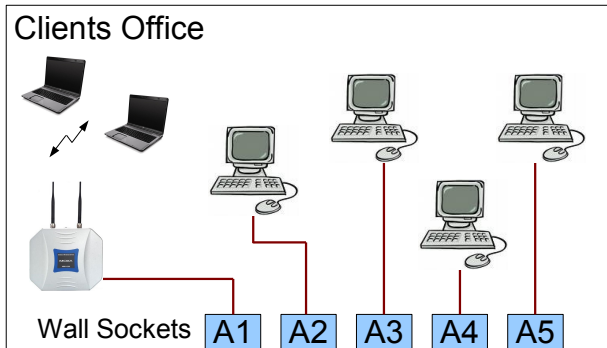


## Linked Office passthru Setup



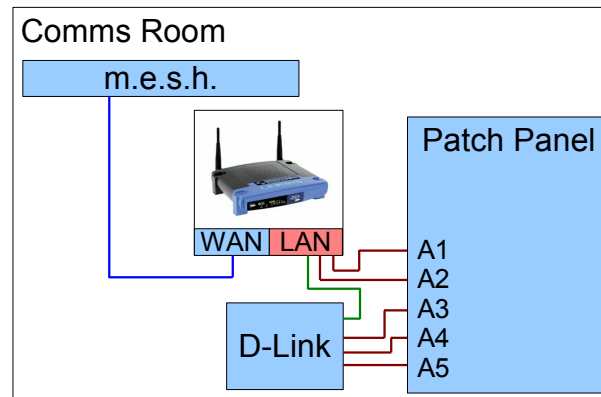
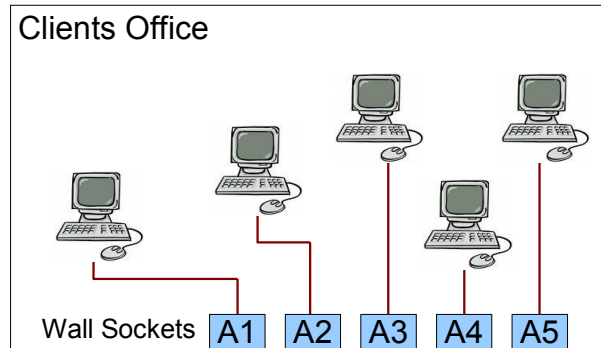
## Simplest wireless setup

Client has wireless access point (not a wireless router) to provide wireless internet access, wired computers plug directly into wall ports.



## Router+hub in comms room

Client has own router and also uses a hub (D-Link) in the comms room to make the rest of the sockets in the office live.



## Linked Office router setup

